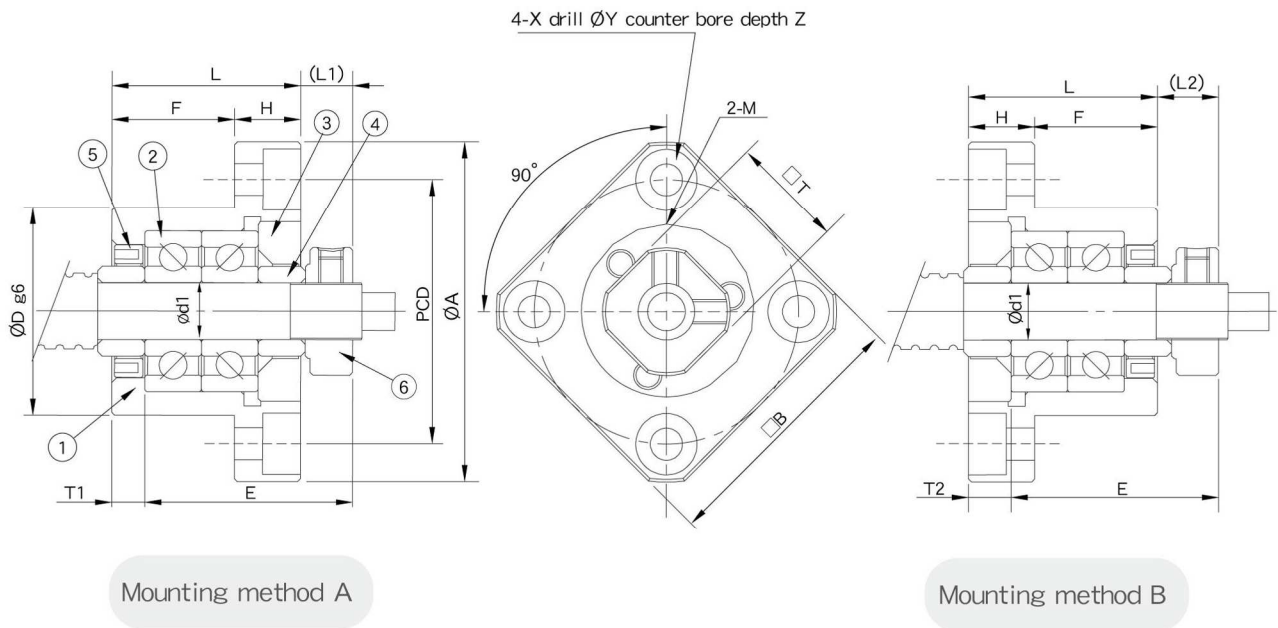


Support Unit FK
(fixed-side round type)



No.	Part name	Qty
1	Housing	1
2	Bearing	1 set
3	Holding lid	1
4	Collar	2
5	Seal	1
6	Lock nut	1set

FK05~FK08



Mounting method A

Mounting method B

Unit : mm

Model No.	Shaft diameter d1	L	H	F	E	Dg6	A	PCD	B	Mounting method A		Mounting method B		X	Y	Z	M	T	Weight (Kgs)
										L1	T1	L2	T2						
FK05	5	16.5	6	10.5	18.5	20 ^{-0.007/-0.02}	34	26	26	5.5	3.5	5	3	3.4	6.5	3.5	M3	11	0.08
FK06	6	20	7	13	22	22 ^{-0.007/-0.02}	36	28	28	5.5	3.5	6.5	4.5	3.4	6.5	4	M3	12	0.1
FK08	8	23	9	14	26	28 ^{-0.007/-0.02}	43	35	35	7	4	8	5	3.4	6.5	4	M3	14	0.15

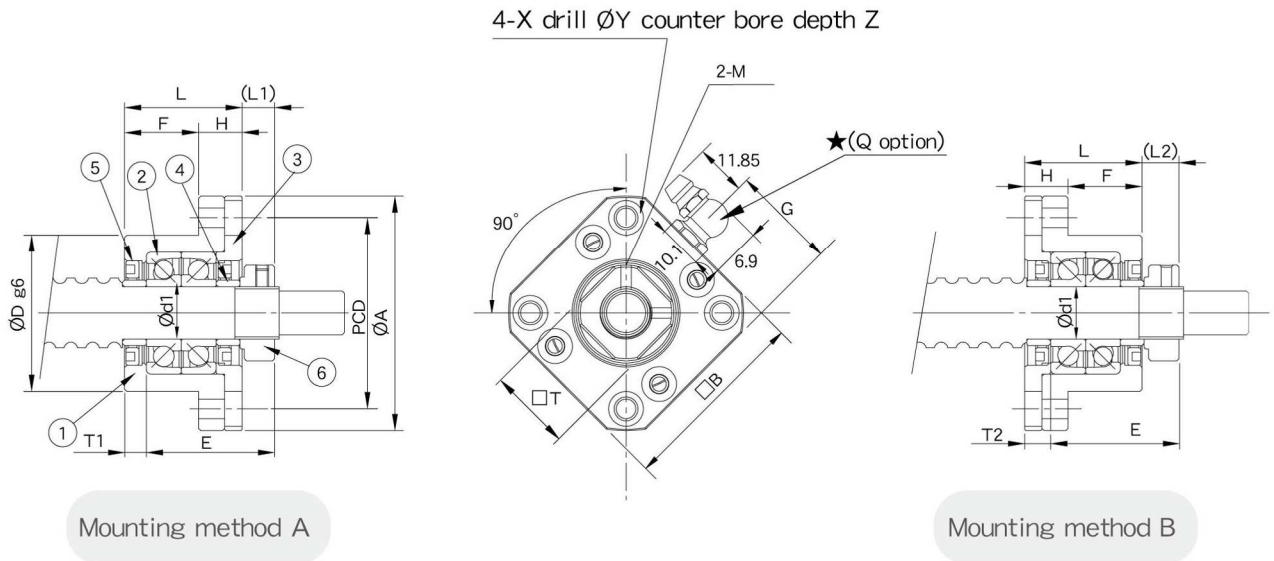
Support Unit FK
(fixed-side round type)



No.	Part name	Qty
1	Housing	1
2	Bearing	1 set
3	Holding lid	1
4	Collar	2
5	Seal	2
6	Lock nut	1set

The position of oil grease is for reference only, please visit our website to get more information on it.

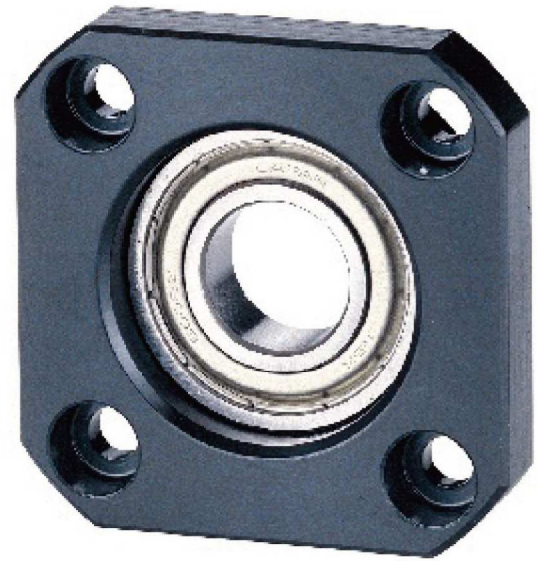
FK10~FK30



Unit : mm

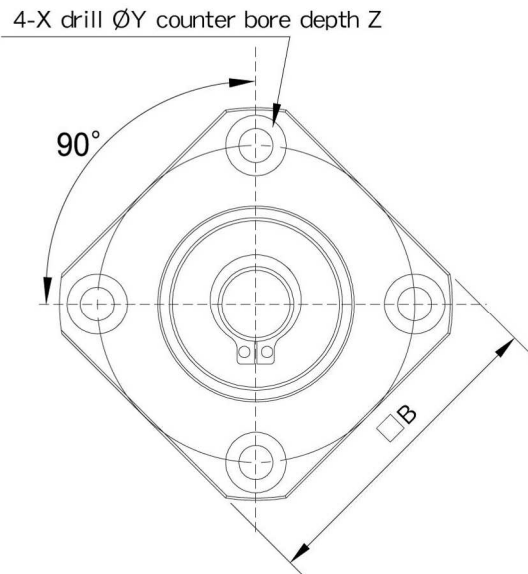
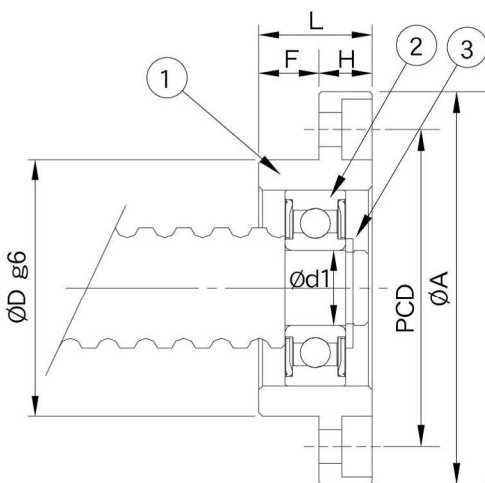
Model No.	Shaft diameter d1	L	H	F	E	Dg6	A	PCD	B	Mounting method A		Mounting method B		X	Y	Z	M	T	G	Q	Weight (Kgs)	
										L1	T1	L2	T2									
FK10	10	27	10	17	29.5	34	-0.009 -0.025	52	42	42	7.5	5	8.5	6	4.5	8	4	M3	16	-	-	0.23
FK12	12	27	10	17	29.5	36	-0.009 -0.025	54	44	44	7.5	5	8.5	6	4.5	8	4	M4	19	-	-	0.25
FK15	15	32	15	17	36	40	-0.009 -0.025	63	50	52	10	6	12	8	5.5	9.5	6	M4	22	26	M6	0.39
FK17	17	45	22	23	47	50	-0.009 -0.025	77	62	61	11	9	14	12	6.6	11	10	M4	24	30.5	M6	0.81
FK20	20	52	22	30	50	57	-0.010 -0.029	85	70	68	8	10	12	14	6.6	11	10	M4	30	34	M6	1.02
FK25	25	57	27	30	59	63	-0.010 -0.029	98	80	79	13	10	20	17	9	15	13	M5	35	39.5	M6	1.48
FK30	30	62	30	32	61	75	-0.010 -0.029	117	95	93	11	12	17	18	11	17.5	15	M6	40	46.5	M6	2.32

Support Unit FF
(Supported-side round type)



No.	Part name	Qty
1	Housing	1
2	Bearing	1 set
3	Snap ring	1

FF



Unit : mm

Model No.	Shaft diameter d1	L	H	F	Dg6	A	PCD	B	X	Y	Z	Bearing	Snap ring	Weight (Kgs)
FF06	6	10	6	4	22 -0.007 -0.02	36	28	28	3.4	6.5	3.5	606ZZ	S 06	0.06
FF10	8	12	7	5	28 -0.007 -0.02	43	35	35	3.4	6.5	4	608ZZ	S 08	0.1
FF12	10	15	7	8	34 -0.009 -0.025	52	42	42	4.5	8	4	6000ZZ	S 10	0.13
FF15	15	17	9	8	40 -0.009 -0.025	63	50	52	5.5	9.5	5.5	6002ZZ	S 15	0.2
FF17	17	20	11	9	50 -0.009 -0.025	77	62	61	6.6	11	6.5	6203ZZ	S17	0.33
FF20	20	20	11	9	57 -0.010 -0.029	85	70	68	6.6	11	6.5	6204ZZ	S 20	0.43
FF25	25	24	14	10	63 -0.010 -0.029	98	80	79	9	14	8.5	6205ZZ	S 25	0.66
FF30	30	27	18	9	75 -0.010 -0.029	117	95	93	11	17	11	6206ZZ	S 30	1.03